

7500 and 7520 Single-Reach[®] Truck



7000-series
7500-R35TT
7500-R45TT
7520-R45TT

Dimensions and General Information

Specifications		In.(mm)	7500-R35TT w/ Sideshift (El. Ht. to 301 in.)	7500-R45TT w/ Sideshift (El. Ht. to 372 in.) [4]	7520-R45TT w/ Sideshift (El. Ht. to 444 in.) [5][6]
A	Truck Head Length w/ Sideshift	In.(mm)	56.0 [3] (1422)	57.3 [3] (1455)	62.2 [5] (1580)
B	Truck Wheelbase	In.(mm)	58.5 [3] (1486)	60.1 [3] (1527)	63.9 [5] (1623)
B2	Baseleg Opening (BLO)	In.(mm)	[7]	[7]	[7]
C	Forks, ITA Type (Std.) (L x W x T)	In.(mm)	42 x 4 x 1.50 (1067 x 102 x 38)	42 x 4 x 1.75 (1067 x 102 x 44)	42 x 4 x 1.75 (1067 x 102 x 44)
C	Forks, Lengths (Opt.)	In.(mm)	30, 36, 48 (762, 914, 1219)	30, 36, 48 (762, 914, 1219)	30, 36, 48 (762, 914, 1219)
D	Fork Adjustment	In.(mm)	15 – 30 (381 – 762)	15 – 30 (381 – 762)	15 – 30 (381 – 762)
E	Battery Compartment Max. Usable Width [2]	In.(mm)	16.12 [3] (409)	16.12 [3] (409)	18.12 [5] (460)
F	Carriage Height (with Load Backrest)	lb.(kg)	36 (914)	36 (914)	36 (914)
G	Grade Clearance	lb.(kg)	13	13	10
H	Operator Compartment Height	In.(mm)	OHG height – 11.25 (286)	OHG height – 11.25 (286)	OHG height – 11.25 (286)
J	Truck Underclearance	In.(mm)	2 (51)	2 (51)	2 (51)
K	CL to CL Load Wheel	In.(mm)	5.25 (133)	5.25 (133)	6.25 (159)
L	Baseleg Width	In.(mm)	5.5 (140)	5.5 (140)	6.0 (152)
M	Truck Length	In.(mm)	77.6 (1971)	79.2 [3] (2012)	84.5 [5] (2146)
N	Truck Mast OAW [1]	In.(mm)	31 (787)	31 (787)	31 (787)
P	Overhead Guard Thickness	In.(mm)	10.02 (254)	10.02 (254)	13.18 (335)
Q	Baseleg Height	In.(mm)	5 (127)	5 (127)	6 (152)

			7500-R35TT w/ Sideshift (El. Ht. to 301 in.)	7500-R45TT w/ Sideshift (El. Ht. to 372 in.) [4]	7520-R45TT w/ Sideshift (El. Ht. to 444 in.) [6]
Power Unit			36 Volt, Single Drive	36 Volt, Single Drive	36 Volt, Single Drive
Max. Cap. @ 24 in. [600 mm] Load Center	lb.(kg)		3,500 (1588)	4,500 (2041)	4,500 (2041)
Operator's Compartment			Stand-up	Stand-up	Stand-up
Drive Tire, Soft Poly (Quantity of 1) Dia. x W	In.(mm)		13.5 x 6 (343 x 152)	13.5 x 6 (343 x 152)	13.5 x 6 (343 x 152)
Steered Idler Tire, Hard Poly (Qty. of 1) Dia. x W	In.(mm)		8 x 4 (203 x 102)	8 x 4 (203 x 102)	8 x 4 (203 x 102)
Load Wheels, Hard Poly (Quantity of 4) Dia. x W	In.(mm)		5 x 3.62 (127 x 92)	5 x 3.62 (127 x 92)	6 x 4 (152 x 102)
Gradability	%		7	7	5
Turning Radius	In. (mm)		72.8 [8][3] (1882)	74.1 [8][3] (1882)	79.6 [8][5] (2022)
Mast Type			3-stage	3-stage	3-stage
Maximum Elevated Mast Height	in. (mm)		301 (7645)	372 (9449)	444 (11278)

FORK LENGTHS 32-60 NOTES:

[1] Add 3.0 in. (76 mm) at OHG side plates.

[2] Additional clearance available, 0.25 in. (6.4 mm) with minor alteration.

[3] Add 2 in. (51 mm) for 18.12 in. (460 mm) B.C. and 5 in. (127 mm) for 21.12 in. (536 mm) B.C.

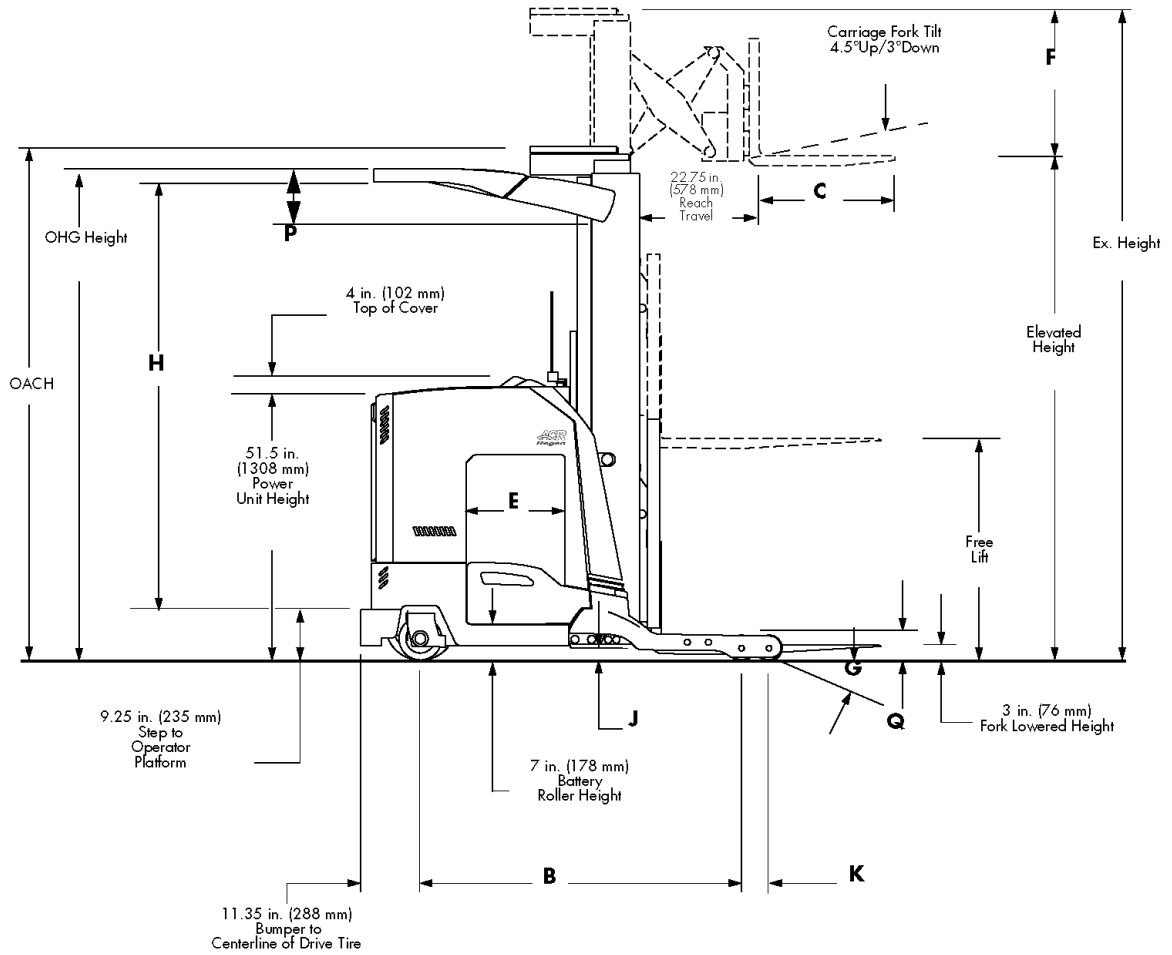
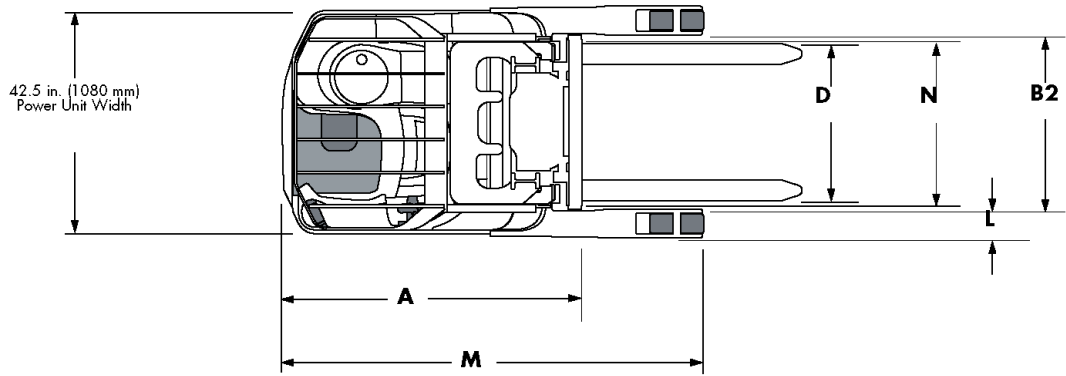
[4] For lift heights from 331 in. (8407 mm) to 372 in. (9449 mm): Requires 18.12 in. (460 mm) B.C. or 21.12 in. (536 mm) B.C.

[5] Add 3 in. (76 mm) for 21.12 in. (536 mm) B.C.

[6] For lift heights greater than 400 in. (10160 mm): Requires 21.12 in. (536 mm) B.C.

[7] Available baseleg openings (BLO) are 33, 34, 35, 36, 37, 38, 39, 40, 41, 42, 43, 44, 45, 46, 47, 49, 50, 51, and 52 inches. For Elevated Heights at 331 in. (8407 mm) or greater, 37 in (940 mm) is minimum BLO.

[8] Sideshift is included in dimensions.



Mast Specifications	OACH [1]	Elevated Height [2][4]	Extended Height [2]	Full Free Lift [3]	OHG Height [3]	Truck Weight without Battery [9]
Model	in. (mm)	in. (mm)	in. (mm)	in. (mm)	in. (mm)	lb.(kg)
7500-R35TT (AC Lift, Electronic Power Steering) (16.12 in. B.C.) [5] (El. Ht. to 301 in.)	89 (2261)	193 (4902)	229 (5817)	34 (863)	87.4 (2219)	5,470 (2481)
	95 (2413)	211 (5359)	247 (6274)	46 (1168)	93.4 (2372)	5,510 (2499)
	99 (2515)	217 (5512)	253 (6426)	50 (1270)	93.4 (2372)	5,540 (2513)
	107 (2718)	241 (6121)	277 (7036)	58 (1473)	93.4 (2372)	5,610 (2545)
	110 (2794)	250 (6350)	286 (7264)	61 (1549)	93.4 (2372)	5,630 (2554)
	119 (3023)	271 (6883)	307 (7798)	70 (1778)	93.4 (2372)	5,700 (2585)
	122 (3099)	280 (7112)	316 (8026)	73 (1854)	93.4 (2372)	5,735 (2601)
	131 (3327)	301 (7645)	337 (8560)	82 (2083)	93.4 (2372)	5,835 (2646)
7500-R35TT (AC Lift, Electronic Power Steering) (18.12 in. B.C.) [6] (El. Ht. to 301 in.)	89 (2261)	193 (4902)	229 (5817)	34 (863)	87.4 (2219)	5,470 (2481)
	95 (2413)	211 (5359)	247 (6274)	46 (1168)	93.4 (2372)	5,510 (2499)
	99 (2515)	217 (5512)	253 (6426)	50 (1270)	93.4 (2372)	5,540 (2513)
	107 (2718)	241 (6121)	277 (7036)	58 (1473)	93.4 (2372)	5,610 (2545)
	110 (2794)	250 (6350)	286 (7264)	61 (1549)	93.4 (2372)	5,630 (2554)
	119 (3023)	271 (6883)	307 (7798)	70 (1778)	93.4 (2372)	5,700 (2585)
	122 (3099)	280 (7112)	316 (8026)	73 (1854)	93.4 (2372)	5,735 (2601)
	131 (3327)	301 (7645)	337 (8560)	82 (2083)	93.4 (2372)	5,835 (2646)
7500-R45TT (AC Lift, Electronic Power Steering) (16.12 in. B.C.) (El. Ht. to 330 in.) [5]	89 (2260)	193 (4902)	229 (5817)	34 (863)	87.4 (2220)	5,579 (2531)
	95 (2413)	211 (5359)	247 (6274)	46 (1168)	93.4 (2372)	5,709 (2590)
	102 (2591)	226 (5740)	262 (6655)	50 (1270)	93.4 (2372)	5,823 (2641)
	107 (2718)	241 (6121)	277 (7036)	58 (1473)	93.4 (2372)	6,050 (2744)
	110 (2794)	250 (6350)	286 (7264)	61 (1549)	93.4 (2372)	6,099 (2766)
	118 (2997)	268 (6807)	304 (7722)	69 (1753)	93.4 (2372)	6,229 (2825)
	122 (3099)	280 (7112)	316 (8026)	73 (1854)	93.4 (2372)	6,294 (2855)
	131 (3327)	301 (7645)	337 (8560)	82 (2083)	93.4 (2372)	6,441 (2922)
	142 (3607)	321 (8153)	357 (9068)	93 (2362)	93.4 (2372)	6,637 (3010)
	146 (3708)	330 (8382)	366 (9296)	97 (2464)	93.4 (2372)	6,723 (3050)

Mast Specifications	OACH [1]	Elevated Height [2][4]	Extended Height [2]	Full Free Lift [3]	OHG Height [3]	Truck Weight without Battery [9]
Model	in. (mm)	in. (mm)	in. (mm)	in. (mm)	in. (mm)	lb.(kg)
7500-R45TT (AC Lift, Electronic Power Steering) (18.12 in. B.C.) (El. Ht. to 330 in.) [6]	89 (2260)	193 (4902)	229 (5817)	34 (863)	87.4 (2220)	5,579 (2531)
	95 (2413)	211 (5359)	247 (6274)	46 (1168)	93.4 (2372)	5,709 (2590)
	102 (2591)	226 (5740)	262 (6655)	50 (1270)	93.4 (2372)	5,823 (2641)
	107 (2718)	241 (6121)	277 (7036)	58 (1473)	93.4 (2372)	6,050 (2744)
	110 (2794)	250 (6350)	286 (7264)	61 (1549)	93.4 (2372)	6,099 (2766)
	118 (2997)	268 (6807)	286 (7264)	69 (1753)	93.4 (2372)	6,229 (2825)
	122 (3099)	280 (7112)	316 (8026)	73 (1854)	93.4 (2372)	6,294 (2855)
	131 (3327)	301 (7645)	337 (8560)	82 (2083)	93.4 (2372)	6,441 (2922)
	142 (3607)	321 (8153)	357 (9068)	93 (2362)	93.4 (2372)	6,637 (3010)
146 (3708)	330 (8382)	366 (9296)	97 (2464)	93.4 (2372)	6,723 (3050)	

- NOTES:**
- [1] Tolerance = +/- 0.75 in. (+/- 19 mm)
 - [2] Tolerance = +2.5/- 0.5 in. (+64/-13 mm)
 - [3] Tolerance = +/- 1 in. (+/- 25.4 mm)
 - [4] Recommended lift-off height is 10 in. (254 mm) higher than top beam height.
 - [5] Usable size is 16.12 in. (409 mm), outside dimension is 16.5 in. (419 mm).
 - [6] Usable size is 18.12 in. (460 mm), outside dimension is 18.5 in. (470 mm).
 - [7] Usable size is 21.12 in. (536 mm), outside dimension is 21.5 in. (546 mm).
 - [8] Does not require inertial dampener or dual lift pump at 271 in. (6883 mm) Elevated Height.
 - [9] Shipping weight is 10% greater for crated trucks.

Important Information:

Full free lifts shown are for basic reach carriage with power tilt and sideshift. Decrease values when non-standard load backrest is used.

Mast Specifications	OACH [1]	Elevated Height [2][4]	Extended Height [2]	Full Free Lift [3]	OHG Height [3]	Truck Weight without Battery [9]
Model	in. (mm)	in. (mm)	in. (mm)	in. (mm)	in. (mm)	lb.(kg)
7500-R45TT (AC Lift, Electronic Power Steering) (21.12 in. B.C.) (El. Ht. to 330 in.) [7]	89 (2260)	193 (4902)	229 (5817)	34 (863)	87.4 (2220)	5,579 (2531)
	95 (2413)	211 (5359)	247 (6274)	46 (1168)	93.4 (2372)	5,709 (2590)
	102 (2591)	226 (5740)	262 (6655)	50 (1270)	93.4 (2372)	5,823 (2641)
	107 (2718)	241 (6121)	277 (7036)	58 (1473)	93.4 (2372)	6,050 (2744)
	110 (2794)	250 (6350)	286 (7264)	61 (1549)	93.4 (2372)	6,099 (2766)
	119 (3023)	268 (6807)	304 (7722)	69 (1753)	93.4 (2372)	6,229 (2825)
	122 (3099)	280 (7112)	316 (8026)	73 (1854)	93.4 (2372)	6,294 (2855)
	131 (3327)	301 (7645)	337 (8560)	82 (2083)	93.4 (2372)	6,441 (2922)
	142 (3607)	321 (8153)	357 (9068)	93 (2362)	93.4 (2372)	6,637 (3010)
146 (3708)	330 (8382)	366 (9296)	97 (2464)	93.4 (2372)	6,723 (3050)	

Mast Specifications	OACH [1]	Elevated Height [2][4]	Extended Height [2]	Full Free Lift [3]	OHG Height [3]	Truck Weight without Battery [9]
Model	in. (mm)	in. (mm)	in. (mm)	in. (mm)	in. (mm)	lb.(kg)
7500-R45TT (AC Lift, Electronic Power Steering) (18.12 in. B.C.) (El. Ht. 331 in. – 372 in.) [6]	148 (3759)	336 (8534)	372 (9449)	99 (2515)	93.4 (2372)	6,800 (3084)
	152 (3861)	348 (8839)	384 (9754)	103 (2616)	93.4 (2372)	6,916 (3137)
	156 (3962)	360 (9144)	396 (10058)	107 (2718)	93.4 (2372)	7,032 (3190)
	160 (4064)	372 (9449)	408 (10363)	111 (2819)	93.4 (2372)	7,148 (3242)
7500-R45TT (AC Lift, Electronic Power Steering) (21.12 in. B.C.) (El. Ht. 331 in. – 372 in.) [7]	148 (3759)	336 (8534)	372 (9449)	99 (2515)	93.4 (2372)	6,833 (3099)
	152 (3861)	348 (8839)	384 (9754)	103 (2616)	93.4 (2372)	6,948 (3152)
	156 (3962)	360 (9144)	396 (10058)	107 (2718)	93.4 (2372)	7,064 (3204)
	160 (4064)	372 (9449)	408 (10363)	111 (2819)	93.4 (2372)	7,180 (3257)
7520-R45TT (AC Lift, Electronic Power Steering) (18.12 in. B.C.) (El. Ht. 346 in. – 400 in.) [6]	149 (3785)	346 (8788)	382 (9703)	100 (2540)	93.4 (2372)	8,150 (3697)
	157 (3988)	370 (9398)	406 (10312)	108 (2743)	93.4 (2372)	8,180 (3710)
	159 (4039)	376 (9550)	412 (10465)	110 (2794)	93.4 (2372)	8,200 (3719)
	167 (4242)	400 (10160)	436 (11074)	118 (2997)	93.4 (2372)	8,250 (3742)
7520-R45TT (AC Lift, Electronic Power Steering) (21.12 in. B.C.) (El. Ht. 346 in. – 444 in.) [7]	149 (3785)	346 (8788)	382 (9703)	100 (2540)	93.4 (2372)	8,150 (3697)
	157 (3988)	370 (9398)	406 (10312)	108 (2743)	93.4 (2372)	8,180 (3710)
	159 (4039)	376 (9550)	412 (10465)	110 (2794)	93.4 (2372)	8,200 (3719)
	167 (4242)	400 (10160)	436 (11074)	118 (2997)	93.4 (2372)	8,250 (3742)
	174 (4420)	421 (10693)	457 (11608)	125 (3175)	93.4 (2372)	8,300 (3765)
	184 (4674)	444 (11278)	480 (12192)	135 (3429)	93.4 (2372)	8,370 (3796)

- NOTES:**
- [1] Tolerance = +/- 0.75 in. (+/- 19 mm)
 - [2] Tolerance = +2.5/- 0.5 in. (+64/-13 mm)
 - [3] Tolerance = +/- 1 in. (+/- 25.4 mm)
 - [4] Recommended lift-off height is 10 in. (254 mm) higher than top beam height.
 - [5] Usable size is 16.12 in. (409 mm), outside dimension is 16.5 in. (419 mm).
 - [6] Usable size is 18.12 in. (460 mm), outside dimension is 18.5 in. (470 mm).
 - [7] Usable size is 21.12 in. (536 mm), outside dimension is 21.5 in. (546 mm).
 - [8] Does not require inertial dampener or dual lift pump at 271 in. (6883 mm) Elevated Height.
 - [9] Shipping weight is 10% greater for crated trucks.

Important Information:

Full free lifts shown are for basic reach carriage with power tilt and sideshift. Decrease values when non-standard load backrest is used.

Performance Specifications		7500-R35TT (AC/AC) (El. Ht. to 301 in.)		7500-R45TT (AC/AC) (El. Ht. to 372 in.)		7520-R45TT [5] (AC/AC) (El. Ht. to 444 in.)	
Battery Compartment [2]	in.(mm)	16.12 or 18.12 or 21.12		16.12, 18.12 or 21.12 (409, 460 or 536)		18.12 or 21.12 (460 or 536)	
Main Controls				Standard	With Regen	With Regen	
Lift Speed Unloaded [5]	fpm (m/s)	150 [2] (0.76)		150 (0.76)	160 (0.81)	160 (0.81)	
Lift Speed w/4,500 lb. Load [1]	fpm (m/s)	-		80 (0.41)	80 (0.41)	95 (0.48)	
Lift Speed w/3,500 lb. Load [1]	fpm (m/s)	78 (0.40)		90 (0.46)	90 (0.46)	115 (0.58)	
Lift Speed w/3,000 lb. Load [1]	fpm (m/s)	90 (0.46)		100 (0.51)	100 (0.51)	120 (0.61)	
Lift Speed w/2,000 lb. Load [1]	fpm (m/s)	100 (0.51)		115 (0.58)	115 (0.58)	135 (0.68)	
Lift Speed w/1,000 lb. Load [1]	fpm (m/s)	118 (0.60)		135 (0.68)	140 (0.71)	145 (0.74)	
		Unloaded	Loaded	Unloaded	Loaded	Unloaded	Loaded
Lower Speed [1]	fpm (m/s)	110 (0.56)	110 (0.56)	110 (0.56)	110 (0.56)	110 (0.56)	110 (0.56)
Travel Speed [1]	mph (km/h)	8.0 (12.9)	7.5 [4] (12.1)	8.0 (12.9)	7.5 [4] (12.1)	8.0 (12.9)	7.0 [3] [4] (11.2)
Travel Current	amp	140	125	140	190	TBA	TBA
Auxiliary Controls							
Reach Time	sec	2.5	2.5	2.3	2.5	2.4	2.4
Tilt Time	sec	1.9	2.2	1.9	2.2	2.7	2.7
NOTES: [1] Maximum speed attainable, after break-in period, varies with truck weight, rolling resistance, mast height, options and battery condition. [2] Optional High Speed Lift/Regenerative Lower allows lift speeds of 160 fpm (0.81 m/s) unloaded and 88 fpm (0.44 m/s) loaded. Regenerative Lower not available on 16.12 in. (409 mm) battery compartments. [3] 7.5 mph (12.1 km/h) with up to 1500 lb. (680 kg) load. [4] Model 7500 with load greater than 1500 lb. (680 kg) in either direction. Model 7520 maximum shown; may be lower based on vehicle weight. [5] For lift heights greater than 400 in. (10160 mm): Requires 21.12 in. (536) B.C..							

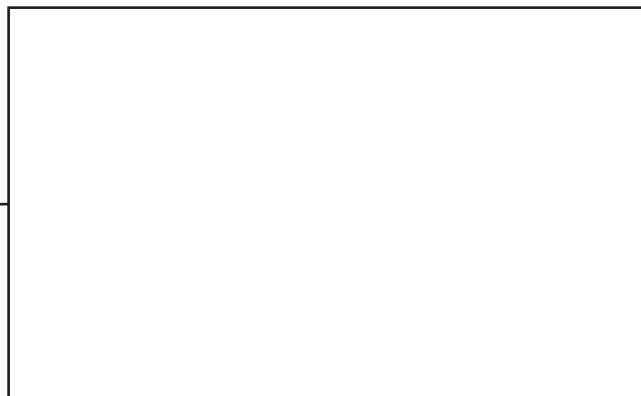
Battery Specifications		7500-R35TT (El. Ht. to 301 in.)	7500-R45TT (El. Ht. to 330 in.)	7500-R45TT (El. Ht. to 372 in.)	7520-R45TT (El. Ht. to 400 in.)	7520-R45TT (El. Ht. to 444 in.)
Ampere-hours, Max.		1240	1240	1240	1240	1240
Battery Connector Type		SB-350	SB-350	SB-350	SB-350	SB-350
Battery Connector Color		Gray	Gray	Gray	Gray	Gray
Lead Location		B	B	B	B	B
Lead Length	in. (mm)	15 (381)	15 (381)	15 (381)	15 (381)	15 (381)
Max. Usable Comp Size (L x W x H) [1][2]	in.(mm)	38.62 x 16.12 x 31 [5] (981 x 409 x 787)	38.62 x 16.12 x 31 [5] (981 x 409 x 787)	38.62 x 18.12 x 31 [5] (981 x 460 x 787)	38.62 x 18.12 x 31 [5] (981 x 460 x 787)	38.62 x 21.12 x 31 [5] (981 x 536 x 787)
Optional Battery Comp. Max. Usable Comp Size (L x W x H) [1][2]	in.(mm)	38.62 x 18.12 x 31 [5] (981 x 460 x 787) [3]	38.62 x 18.12 x 31 [5] (981 x 460 x 787) [3]	38.62 x 21.12 x 31 [5] (981 x 536 x 787) [4]	38.62 x 21.12 x 31 [5] (981 x 536 x 787) [4]	-
Optional Battery Comp. Max. Usable Comp Size (L x W x H) [1][2]	in.(mm)	38.62 x 21.12 x 31 [5] (981 x 536 x 787) [4]	38.62 x 21.12 x 31 [5] (981 x 536 x 787) [4]	-	-	-
Battery Weight, Max. (16.12 in. Battery Comp.)	lb.(kg)	2,300 (1043)	2,300 (1043)	-	-	-
Battery Weight, Max. (18.12 in. Battery Comp.)	lb.(kg)	2,600 (1179)	2,600 (1179)	2,600 (1179)	2,600 (1179)	-
Battery Weight, Max. (21.12 in. Battery Comp.)	lb.(kg)	2,900 (1315)	2,900 (1315)	2,900 (1315)	2,900 (1315)	2,900 (1315)
Battery Weight, Min. (16.12 in. Battery Comp.)	lb.(kg)	2,000 (907)	2,000 (907)	-	-	-
Battery Weight, Min. (18.12 in. Battery Comp.)	lb.(kg)	2,300 (1043)	2,300 (1043)	2,300 (1043)	2,300 (1043)	-
Battery Weight, Min. (21.12 in. Battery Comp.)	lb.(kg)	2,600 (1179)	2,600 (1179)	2,600 (1179)	2,600 (1179)	2,600 (1179)
NOTES: [1] Use battery spacers as required to maintain maximum of 0.5 in. gap between battery and wall. [2] Additional clearance available, 0.25 in. (6 mm) with minor adjustment. [3] 18.12 in. (460 mm) battery compartment size is optional. [4] 21.12 in. (536 mm) battery compartment size is optional. [5] Height at center to accommodate lifting eye is 31 in. (787 mm), height at corner is 29 in. (737 mm). Battery with cover recommended maximum height is 29 in. (737 mm).						

Standard Equipment

- 36 volt Power Unit
- A-Frame Suspension (patented)
- AC-Traction System
- AC Lift System
- Active Maintenance
- Advanced Ergonomic Design
- Auto Position Hold
- Auto Power Off™ Device
- Battery Compartment (16.12, 18.12, or 21.12 in. Usable)
- Bi-Directional
- Bolt-on, Ductile Iron Baselegs
- Brake, Electric
- Console Work Surface & Storage Compartment
- Emergency Power Disconnect
- Energy Efficient Operation
- Floor Pad, Soft Cushioned
- Gauge, Battery State-of-Charge w/Lift Interrupt
- High Speed Lift with Regenerative Lowering (Model 7520 only)
- Horn
- Hour Meters: Key Hours, Deadman Activated, Time Spent Lifting, Distance Traveled
- Hydraulic Mast Staging
- Inertial Dampener (above 271 in. E.H. on 3500 lb. trucks, above 270 in. E.H. on 4500 lb. trucks)
- Lift System Relief Valve
- Load Wheels, Floating Articulation, Bolt-on
- Low Step Height
- Maintenance Minder™ Tool
- Mast, Cushioned Stops
- Mast, High Efficiency
- Mast, Large Main Frame Channel
- Mast Lowering Deceleration
- Mast Lowering Flow Control
- Mast, Open View
- Mast Speed Variable Lift/Lower
- Mast Staging
- ODI with Selectable Display
- OSHA and ANSI/ITSDF Compliance
- Overhead Guard
- Owner and Operator Manuals
- Parking Brake, Automatic Engaging
- Programmability Performance
- Pivot Bearing, 12.5 in. Diameter/Low Profile
- Polyurethane Drive Tire and Idler
- Power-up and Run Time Diagnostics Real Time with Status/Fault Codes
- Proportional Plugging
- Reach/Retract Cushions
- Regenerative Braking
- Scissor Mechanism with Torsion Tube, Thrust, and Anti-Friction Rollers/Ball Bearings
- See-Through Carriage
- Sideshift, Integral type 2 in., and Power Tilt
- Simultaneous Function Control Handle/Single - Axis/Relaxed Grip
- Spacious Compartment with Multiple Lean Points & Universal Stack Stance and Dockstance
- Steered Idler
- Steering, Electronic
- The ACR System™
- UL Type “E” Construction
- Warranties, Asset Protection
- Standard Warranty Coverage
- Structural Extended Warranty
- Weight Sensing

Available Options

- Audible Alarms
- Battery Gate Interlock
- Cold Storage Conditioning
- Height Indicators
- Keyless On/Off
- Lights
- Load Backrest 38” (965 mm), 42” (1067 mm), 48”(1219 mm), (36” [914 mm] Std)
- Secondary Control Handle
- ThermaKit™ Cold Storage Comfort Package
- Vantage Point™ Camera System
- iWAREHOUSE Fleet Optimization System



TMHI1240466A75007520 - version 1, 1220