

7700 and 7720 Single-Reach® Truck



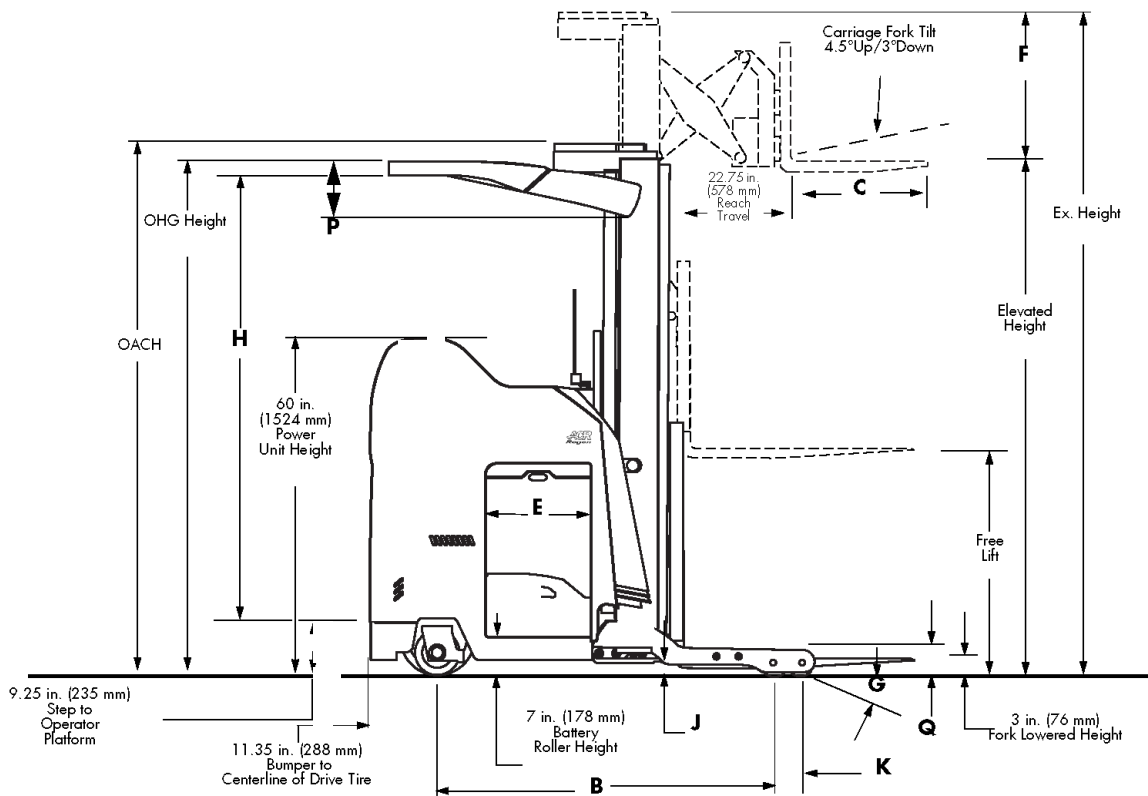
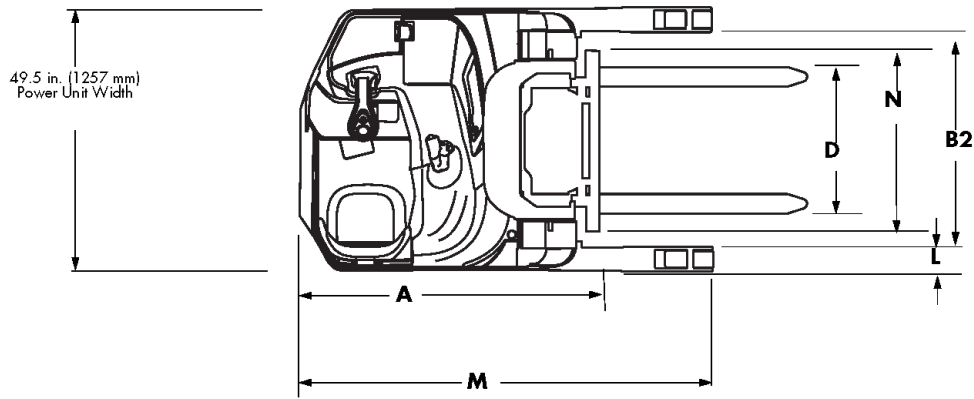
7000-series
7700-R45TT
7720-R45TT

Dimensions and General Information

Specifications		In.(mm)	7700-R45TTw/ Sideshift (El. Ht. to 372 in.) [4]	7720-R45TTw/ Sideshift (El. Ht. to 444 in.) [4][5]
A	Truck Head Length w/ Sideshift	In.(mm)	60.3 [3] (1531)	64.2 [3] (1580)
B	Truck Wheelbase	In.(mm)	62.1 [3] (1527)	63.9 [3][4] (1623)
B2	Baseleg Opening (BLO)	In.(mm)	[7]	[7]
C	Forks, ITA Type (Std.) (L x W x T)	In.(mm)	42 x 4 x 1.75 (1067 x 102 x 44)	42 x 4 x 1.75 (1067 x 102 x 44)
C	Forks, Lengths (Opt.)	In.(mm)	30, 36, 48 (762, 914, 1219)	30, 36, 48 (762, 914, 1219)
D	Fork Adjustment	In.(mm)	15 – 30 (381 – 762)	15 – 30 (381 – 762)
E	Battery Compartment Max. Usable Width [2]	In.(mm)	18.12 [4] (460)	18.12 [4] (460)
F	Carriage Height (with Load Backrest)	in. (mm)	36 (914)	36 (914)
G	Grade Clearance	%	13	10
H	Operator Compartment Height	In.(mm)	OHG height – 11.25 (286)	OHG height – 11.25 (286)
J	Truck Underclearance	In.(mm)	2 (51)	2 (51)
K	CL to CL Load Wheel	In.(mm)	5.25 (133)	6.25 (159)
L	Baseleg Width	In.(mm)	5.5 (140)	6.0 (152)
M	Truck Length	In.(mm)	83.2 [3] (2113)	86.5 [3][4] (2146)
N	Truck Mast OAW [1]	In.(mm)	31 (787)	35.5 (902)
P	Overhead Guard Thickness	In.(mm)	10.02 (254)	13.18 (335)
Q	Baseleg Height	In.(mm)	5 (127)	6 (152)

Model		7700-R45TTw/ Sideshift (El. Ht. to 372 in.) [4]	7720-R45TTw/ Sideshift (El. Ht. to 444 in.) [4][5]
Power Unit		36 Volt, Single Drive	36 Volt, Single Drive
Max. Cap. @ 24 in. (600 mm) Load Center	lb.(kg)	4,500 (2041)	4,500 (2041)
Operator's Compartment		Sit/Stand-up	Sit/Stand-up
Drive Tire, Soft Poly (Quantity of 1) Dia. x W	In.(mm)	13.5 x 6 (343 x 152)	13.5 x 6 (343 x 152)
Steered Idler Tire, Hard Poly (Quantity of 1) Dia. x W	In.(mm)	8 x 4 (203 x 102)	8 x 4 (203 x 102)
Load Wheels, Hard Poly (Quantity of 4) Dia. x W	In.(mm)	5 x 3.62 (127 x 92)	6 x 4 (152 x 102)
Gradability	%	7	5
Turning Radius	In. (mm)	80.1 [4][7] (2034)	83.5 [4][5][7] (2120)
Mast Type		3-stage	3-stage
Maximum Elevated Mast Height	in. (mm)	372 (9449)	444 (11278)

- NOTES:**
- [1] Add 3.0 in. (76 mm) at OHG side plates. Be aware of clearance between mast OAW and Drive-in rails.
 - [2] Additional clearance available, 0.25 in. (6.4 mm) with minor alteration.
 - [3] Subtract 1" without sideshift
 - [4] Add 3 in. (76 mm) for 21.12 in. (536 mm) B.C.
 - [5] For lift heights greater than 400 in. (10160 mm): Requires 21.12 in. (536 mm) B.C.
 - [6] Available baseleg openings (BLO) are 33, 34, 35, 36, 37, 38, 39, 40, 41, 42, 43, 44, 45, 46, 47, 49, 50, 51, and 52 inches. For Elevated Heights at 331 in. (8407 mm) or greater, 37 in (940 mm) is minimum BLO.
 - [7] Sideshift is included in dimensions.



Mast Specifications	OACH [1]	Elevated Height [2][6]	Extended Height [2]	Full Free Lift [2]	OHG Height [3]	Truck Weight without Battery [7]
Model	in. (mm)	in. (mm)	in. (mm)	in. (mm)	in. (mm)	lb.(kg)
7700-R45TT (AC Lift, Electronic Power Steering) (18.12 Usable Compartment) [4] (El. Ht. to 372 in.)	89 (2260)	193 (4902)	229 (5817)	46 (1168)	87.4 (2220)	5,939 (2694)
	95 (2413)	211 (5359)	247 (6274)	52 (1321)	93.4 (2372)	6,069 (2753)
	102 (2591)	226 (5740)	262 (6655)	59 (1499)	93.4 (2372)	6,183 (2805)
	107 (2718)	241 (6121)	277 (7036)	64 (1626)	93.4 (2372)	6,410 (2908)
	110 (2794)	250 (6350)	286 (7264)	67 (1702)	93.4 (2372)	6,459 (2930)
	118 (2997)	268 (6807)	304 (7722)	75 (1905)	93.4 (2372)	6,589 (2989)
	122 (3099)	280 (7112)	316 (8026)	79 (2007)	93.4 (2372)	6,654 (3018)
	131 (3327)	301 (7645)	337 (8560)	88 (2235)	93.4 (2372)	6,801 (3085)
	142 (3607)	321 (8153)	357 (9068)	100 (2540)	93.4 (2372)	6,997 (3174)
	146 (3708)	330 (8382)	366 (9296)	103 (2616)	93.4 (2372)	7,083 (3213)
	148 (3759)	336 (8534)	372 (9449)	105 (2667)	93.4 (2372)	7,160 (3248)
	152 (3861)	348 (8839)	384 (9754)	109 (2769)	93.4 (2372)	7,178 (3256)
	156 (3962)	360 (9144)	396 (10058)	113 (2870)	93.4 (2372)	7,392 (3353)
	160 (4064)	372 (9449)	408 (10363)	117 (2972)	93.4 (2372)	7,508 (3406)
7700-R45TT (AC Lift, Electronic Power Steering) (21.12 Usable Compartment) [5] (El. Ht. to 372 in.)	89 (2260)	193 (4902)	229 (5817)	46 (1168)	87.4 (2220)	5,939 (2694)
	95 (2413)	211 (5359)	247 (6274)	52 (1321)	93.4 (2372)	6,069 (2753)
	102 (2591)	226 (5740)	262 (6655)	59 (1499)	93.4 (2372)	6,183 (2805)
	107 (2718)	241 (6121)	277 (7036)	64 (1626)	93.4 (2372)	6,410 (2908)
	110 (2794)	250 (6350)	286 (7264)	67 (1702)	93.4 (2372)	6,459 (2930)
	118 (2997)	268 (6807)	304 (7722)	75 (1905)	93.4 (2372)	6,589 (2989)
	122 (3099)	280 (7112)	316 (8026)	79 (2007)	93.4 (2372)	6,654 (3018)
	131 (3327)	301 (7645)	337 (8560)	88 (2235)	93.4 (2372)	6,801 (3085)
	142 (3607)	321 (8153)	357 (9068)	100 (2540)	93.4 (2372)	6,997 (3174)
	146 (3708)	330 (8382)	366 (9296)	103 (2616)	93.4 (2372)	7,083 (3213)
	148 (3759)	336 (8534)	372 (9449)	105 (2667)	93.4 (2372)	7,160 (3248)
	152 (3861)	348 (8839)	384 (9754)	109 (2769)	93.4 (2372)	7,178 (3256)
	156 (3962)	360 (9144)	396 (10058)	113 (2870)	93.4 (2372)	7,392 (3353)
	160 (4064)	372 (9449)	408 (10363)	117 (2972)	93.4 (2372)	7,508 (3406)

Mast Specifications	OACH [1]	Elevated Height [2][4]	Extended Height [2]	Full Free Lift [3]	OHG Height [3]	Truck Weight without Battery [9]
Model	in. (mm)	in. (mm)	in. (mm)	in. (mm)	in. (mm)	lb.(kg)
7720-R45TT (AC Lift, Electronic Power Steering) (18.12 Usable Compartment) [4] (El. Ht. 346 in. to 400 in.)	149 (3785)	346 (8788)	382 (9703)	100 (2540)	93.4 (2372)	8510 (3860)
	157 (3988)	370 (9398)	406 (10312)	108 (2743)	93.4 (2372)	8540 (3874)
	159 (4039)	376 (9550)	412 (10465)	110 (2794)	93.4 (2372)	8560 (3883)
	167 (4242)	400 (10160)	436 (11074)	118 (2997)	93.4 (2372)	8585 (3894)
7720-R45TT (AC Lift, Electronic Power Steering) (21.12 Usable Compartment) [5] (El. Ht. 346 in. to 440 in.)	149 (3785)	346 (8788)	382 (9703)	100 (2540)	93.4 (2372)	8510 (3860)
	157 (3988)	370 (9398)	406 (10312)	108 (2743)	93.4 (2372)	8540 (3874)
	159 (4039)	376 (9550)	412 (10465)	110 (2794)	93.4 (2372)	8560 (3883)
	167 (4242)	400 (10160)	436 (11074)	118 (2997)	93.4 (2372)	8585 (3894)
	174 (4420)	421 (10693)	457 (11608)	125 (3175)	93.4 (2372)	8660 (3928)
	184 (4674)	444 (11278)	480 (12192)	135 (3429)	93.4 (2372)	8730 (3960)

NOTES: [1] Tolerance = +/- 0.75 in. (+/- 19 mm)
[2] Tolerance = +2.5/- 0.5 in. (+64/-13 mm)
[3] Tolerance = +/- 1 in. (+/- 25.4 mm)
[4] Usable size is 18.12 in. (460 mm), outside dimension is 18.5 in. (470 mm).
[5] Usable size is 21.12 in. (536 mm), outside dimension is 21.5 in. (546 mm).
[6] Recommended lift-off height is 10 in. (254 mm) higher than top beam height.
[7] Shipping weight is 10% greater for crated trucks.

Important Information:

Full free lifts shown are for basic reach carriage with power tilt and sideshift. Decrease values when non-standard load backrest is used.

Performance Specifications		7500-DR32TT (AC/AC) (El. Ht. to 330 in.)		7500-DR32TT (AC/AC) (El. Ht. to 372 in.)	
Battery Compartment	in.(mm)	18.12 or 21.12 (460 or 536)		18.12 or 21.12 (460 or 536)	
Main Controls		Standard	With Regen	With Regen	
Lift Speed Unloaded [1]	fpm (m/s)	150 (0.76)	160 (0.81)	160 (0.81)	
Lift Speed	fpm (m/s)	80 (0.41)	80 (0.41)	95 (0.48)	
Lift Speed w/3,500 lb. Load [1]	fpm (m/s)	90 (0.46)	90 (0.46)	115 (0.58)	
Lift Speed w/3,000 lb. Load [1]	fpm (m/s)	100 (0.51)	100 (0.51)	120 (0.61)	
Lift Speed w/2,000 lb. Load [1]	fpm (m/s)	115 (0.58)	115 (0.58)	135 (0.68)	
Lift Speed w/1,000 lb. Load [1]	fpm (m/s)	135 (0.68)	140 (0.71)	145 (0.74)	
		Unloaded	Loaded	Unloaded	Loaded
Lower Speed [1]	fpm (m/s)	110 (0.56)	110 (0.56)	110 (0.56)	110 (0.56)
Travel Speed [1]	mph (km/h)	8.0 (12.9)	7.5 (12.1)	8.0 (12.9)	7.0 [2][3] (11.2)
Travel Current	amp	140	190	140	190
Auxiliary Controls					
Reach Time	sec	2.3	2.5	2.4	2.4
Tilt Time	sec	1.9	2.2	2.7	2.7

NOTES: [1] Maximum speed attainable, after break-in period, varies with truck weight, rolling resistance, mast height, options and battery condition.
[2] 7.5 mph (12.1 km/h) with up to 1500 lb. (680 kg) load.
[3] Model 7700 with load greater than 1500 lb. (680 kg) in either direction. Model 7720 maximum shown; may be lower based on vehicle weight.
[4] Above 400° (10160 mm) E.H. requires 21.12 (536 mm) battery compartment.

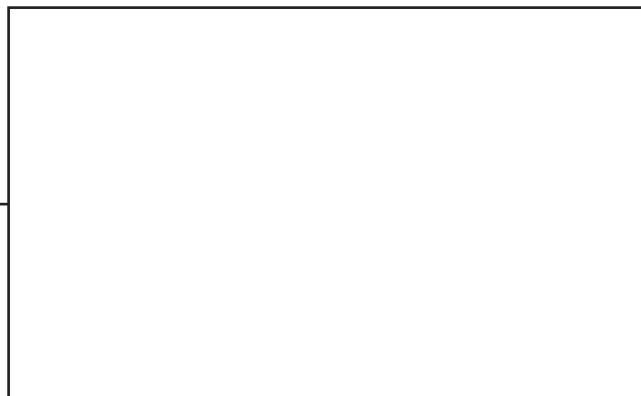
Battery Specifications	7500-DR32TT (El. Ht. to 330 in.)	7500-DR32TT (El. Ht. to 372 in.)	7520-DR32TT (El. Ht. to 400 in.)
Ampere-hours, Max.	1240	1240	1240
Battery Connector Type	SB-350	SB-350	SB-350
Battery Connector Color	Gray	Gray	Gray
Lead Location	B	B	B
Lead Length in. (mm)	15 (381)	15 (381)	15 (381)
Max. Usable Comp Size (L x W x H) [1][2] in.(mm)	38.62 x 18.12 x 31 [3] (981 x 460 x 787)	38.62 x 18.12 x 31 [3] (981 x 460 x 787)	38.62 x 21.12 x 31 [3] (981 x 536 x 787)
Optional Battery Comp. Max. Usable Comp. Size (L x W x H) [1][2] in.(mm)	38.62 x 21.12 x 31 [3] (981 x 536 x 787)	38.62 x 21.12 x 31 [3] (981 x 536 x 787)	-
Battery Weight, Max. (18.12" Battery Comp.) lb.(kg)	2,600 (1179)	2,600 (1179)	-
Battery Weight, Max. (21.12" Battery Comp.) lb.(kg)	2,900 (1315)	2,900 (1315)	2,900 (1315)
Battery Weight, Min. (18.12" Battery Comp.) lb.(kg)	2,300 (1043)	2,300 (1043)	-
Battery Weight, Min. (21.12" Battery Comp.) lb.(kg)	2,600 (1179)	2,600 (1179)	2,600 (1179)
<p>NOTES: [1] Use battery spacers as required to maintain maximum of 0.5 in. gap between battery and wall. [2] Additional clearance available, 0.25 in. (6 mm) with minor adjustment. [3] Height at center to accommodate lifting eye is 31 in. (787 mm), height at corner is 29 in. (737 mm). Battery with cover recommended maximum height is 29 in. (737 mm).</p>			

Standard Equipment

- 36 volt Power Unit
- A-Frame Suspension (patented)
- AC-Traction and Lift Systems
- Advanced Ergonomic Design
- Auto Position Hold
- Auto Power Off™ Device
- Battery Compartment (18.12 or 21.12 in. Usable)
- Bolt-on, Ductile Iron Baselegs
- Brake, Electric
- Console Work Surface & Storage Compartment
- Controls Active Maintenance Diagnostics
- Emergency Power Disconnect
- Energy Efficient Operation
- Ergonomic Seat with Adjustable Height and Moves Out of the Way for Standing Position
- Floor Pad, Soft Cushioned
- Gauge, Battery State-of-Charge w/Lift Interrupt
- High Speed Lift with Regenerative Lowering (Model 7720 only)
- Horn
- Hour Meters: Key Hours, Deadman Activated,
- Time Spent Lifting, Distance Traveled
- Hydraulic Mast Staging
- Inertial Dampener (trucks above 270 in.)
- Lift System Relief Valve
- Load Wheels, Floating Articulation, Bolt-on
- Low Step Height
- Maintenance Minder™ Tool
- Mast, Cushioned Stops
- Mast, High Efficiency
- Mast, Large Main Frame Channel
- Mast Lowering Deceleration
- Mast Lowering Flow Control
- Mast, Open View
- Mast Speed Variable Lift/Lower
- Mast Staging
- OSHA and ANSI/ITSDF Compliance
- Overhead Guard
- Owner and Operator Manuals
- Parking Brake, Automatic Engaging
- Programmability Performance
- Pivot Bearing, 12.5 in. Diameter/Low Profile
- Polyurethane Drive Tire and Idler
- Power-up and Run Time Diagnostics Real Time with
- Status/Fault Codes
- Proportional Plugging
- Reach/Retract Cushions
- Regenerative Braking
- Scissor Mechanism with Torsion Tube, Thrust,
- and Anti-Friction Rollers/Ball Bearings
- See-Through Carriage
- Simultaneous Function Control Handle/ Single Axis/Relaxed Grip
- Spacious Compartment with Multiple Lean Points and Dockstance
- Sideshift, Integral type 2 in., and Power Tilt
- Steering, Electric
- Steered Idler
- Steering Column Adjustable (3 position)
- The ACR System™
- UID (User Interface) with Selectable Display
- UL Type “E” Construction
- Warranties, Asset Protection
- Weight Sensing

Available Options

- Audible Alarms
- Battery Gate Interlock
- Cold Storage Conditioning
- Heated Seat
- Height Indicators
- Keyless On/Off
- Lights
- Load Backrest 38” (965 mm), 42” (1067 mm), 48” (1219 mm), (36” [914 mm] Std)
- ThermaKit™ Cold Storage Comfort Package
- Vantage Point™ Camera System
- iWAREHOUSE Fleet Optimization System



TMHI1240469A77007720 - version 1, 1220